

DS-2AE4225TG-3
AE PTZ



- High quality imaging with 2 MP resolution
- Excellent low-light performance with powered-by-DarkFighter technology
- Clear imaging against strong back light by 120 dB WDR technology
- Pan and tilt ability enables the camera to capture interested areas
- Securing an expansive area with 25x optical zoom
- Water and dust resistant (IP66)

▪ Specification

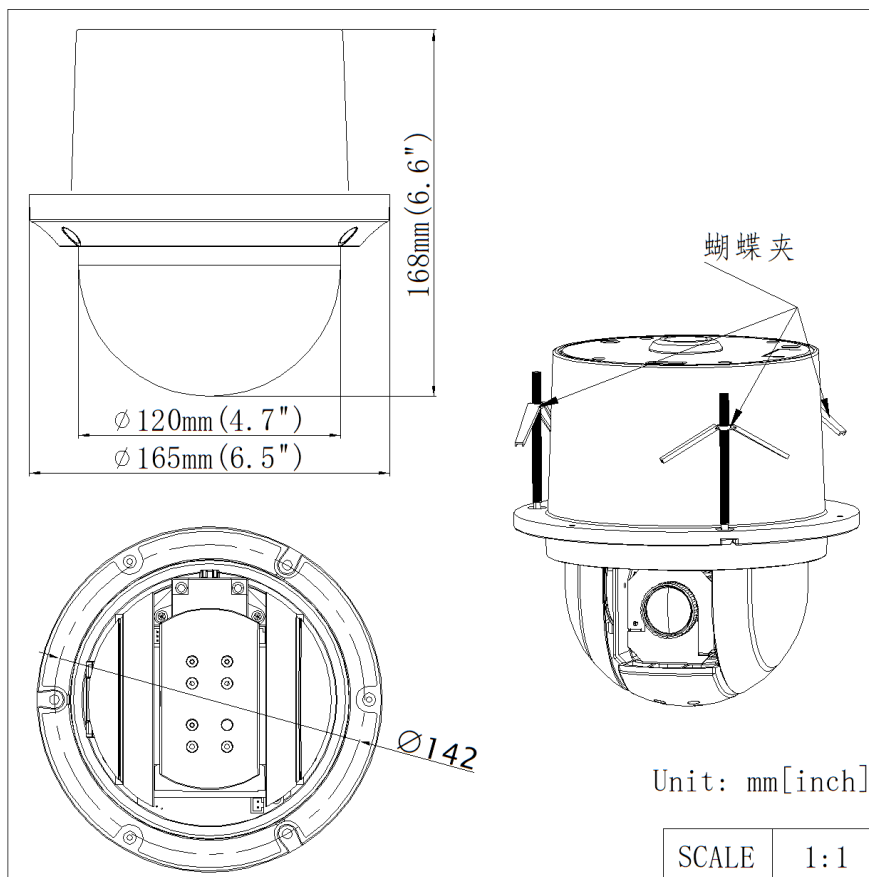
Camera	
Image Sensor	1/2.8" Progressive Scan CMOS
Max. Resolution	1920 × 1080
Min. Illumination	Color: 0.005 Lux @(F1.6, AGC ON) B/W: 0.001 Lux @(F1.6, AGC ON)
Shutter Speed	PAL: 1/1 s to 1/30,000 s NTSC: 1/1 s to 1/30,000 s
Day & Night	IR cut filter
Zoom	25 × optical, 16 × digital
Lens	
Focal Length	4.8 mm to 120 mm, 25 × optical
FOV	Horizontal FOV: 57.6° to 2.5° (wide to tele) Vertical FOV: 34.4° to 1.4° (wide to tele) Diagonal FOV: 64.5° to 2.9° (wide to tele)
Focus	Auto, semi-auto, manual
Aperture	F1.6 to F3.5
Zoom Speed	Approx. 3.6 s (optical, wide to tele)
PTZ	
Movement Range (Pan)	360° endless
Movement Range (Tilt)	-5° to 90° (auto flip)
Pan Speed	Pan manual speed: 0.1° to 100°/s Pan preset speed: 100°/s
Tilt Speed	Tilt manual speed: 0.1° to 80°/s Tilt preset speed: 80°/s
Proportional Pan	Rotation speed can be adjusted automatically according to zoom multiples
Presets	256
Preset Freezing	Yes
Patrol Scan	10 patrols, up to 32 presets for each patrol
Pattern Scan	5 patterns, record time over 10 minutes for each scan
Park Action	Preset/Patrol/Pattern/Pan Scan/Tilt Scan/Panorama Scan/Day Mode/Night Mode/One-touch Patrol/None
Scheduled Task	Preset/Patrol/Pattern/Pan Scan/Tilt Scan/Panorama Scan/Day Mode/Night Mode/Zero Calibration/None
Power-off Memory	Yes
Video	
Frame Rate	50 Hz: 25 fps @(1920 × 1080) 60 Hz: 30 fps @(1920 × 1080)
Network	
Protocols	UTC protocol (or HIKVISION-C protocol in previous DVR)
Image	
Image Settings	AGC, white balance
Wide Dynamic Range (WDR)	≥ 120 dB
Image Enhancement	BLC, HLC, 3D DNR
Privacy Mask	8 programmable privacy masks

Interface	
Video Output	Switchable TVI/AHD/CVI/CVBS video output, (NTSC or PAL composite, BNC)
Alarm	2 alarm inputs, 1 alarm output
RS-485	Half-duplex mode Self-adaptive HIKVISION, Pelco-P, Pelco-D protocol
General	
Power	12 VDC, max. 12 W
Dimension	DS-2AE4225TG-3 (Indoor): \varnothing 165 mm \times 179.5 mm (\varnothing 6.5" \times 7.1") DS-2AE4225TG-3 (In-ceiling): \varnothing 165 \times 168 mm (\varnothing 6.5" \times 6.6")
Weight	Approx. 2 kg (4.41 lb.)
Operating Condition	-10° C to 50° C (14° F to 122° F). Humidity 90% or less
Language	English
Approval	
Protection	TVS 4,000 V lightning protection, surge protection and voltage transient protection

▪ Available Model

DS-2AE4225TG-3

▪ Dimension





See Far, Go Further



www.hikvision.com
support@hikvision.com

