



230_{VAC}

400_{VAC}


VN.S/M VN.ST/MT

SECTIONAL DOORS AND ROLLING DOORS INDUSTRIAL USE

new plastic box

up to 40 m²

BENINCA

 **100%**
Made in Italy

230 Vac | 400 Vac

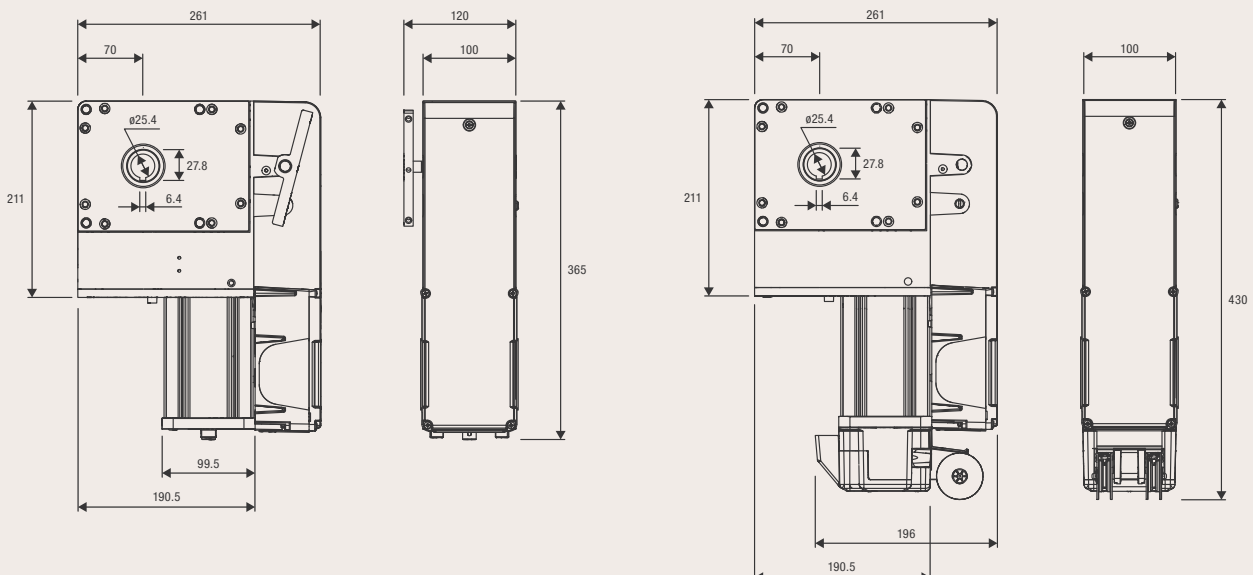
- Irreversible electromechanical gear motor with quick release or manual chain operated movement available in the single and three-phase versions with 1/20 and 1/40 reduction rates
- New plastic box that makes wiring the motor easier, thanks to the position of the front clip connector and the possibility of reaching three different positions with the wiring.
- Two accessories are available for chain drives with reduction rates 1:1 (off-axis motor installation) or 1:1.8 (torque or speed multipliers)
- Easy and precise adjustment of limit switch position
- Maximum safety guaranteed during rapid release phases, thanks to a micro-switch that cuts the power supply to the motor
- Oil lubricated reductions with hardened steel screw and bronze gears guarantee high performance, maximum reliability and silent operation
- 4 micrometrically adjustable limit switches

CONTROL UNITS:

VN.S20
VN.M20 — THINKY
START
CELL.P
WAVE230

VN.S40
VN.M40 — THINKY
START
CELL.P
WAVE230

VN.ST20
VN.MT20
VN.MT40 — THINKY
START





VN.A30
Shaft adapter
Ø 30 mm.



VN.A3175
Shaft adapter
Ø 31.75 mm.



VN.A40
Shaft adapter
Ø 40 mm.



VN.RV
Transmission set
1:1.8 for 1" shaft
(25.4 mm) composed
of two gears with
external diameter
78 mm and 138.4 mm
and chain L = 1 m.



VN.RM
Transmission set 1:1
for 1" shaft (25.4 mm)
composed of two gears
with external diameter
78 mm and chain L = 1 m.



VN.CTA
Chain extension.



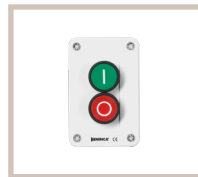
VN.M4
M4 pinion for use
with rack in horizontal
sliding door configuration.



RI.M4ZF
Galvanised slotted M4
rack 22x22x2010 mm
for fastening to the
side with the teeth.
Supplied with M6 screws.
Package of 1 pc.



IPB.NO
Industrial keypad
fitted with 2 contacts
that are normally open.



IPB.NC
Industrial keypad
fitted with a contact
that is normally open
and a contact
normally closed.



RF.SUN
Battery-operated device
recharged by means
of a photovoltaic panel
applied on a mobile edge.



RF
Device with a non
rechargeable battery,
with guaranteed
duration 2 years.



SC.RF
Device powered at
12/24 Vdc with self-test
function and 2 outputs
for connection to the
electronic control units.

AUTOMATISMI BENINCÀ SpA • Via del Capitello, 45 • 36066 Sandrigo (VI) ITALY • T +39 0444 751030 • sales@beninca.com

Wire unlock device	VN.S20	VN.S40	VN.ST20	---
Manual override	VN.M20	VN.M40	VN.MT20	VN.MT40
Power supply	230 Vac (50-60Hz)	230 Vac (50-60Hz)	≈ 400 Vac (50-60Hz)	≈ 400 Vac (50-60Hz)
Motor supply	230 Vac	230 Vac	≈ 400 Vac	≈ 400 Vac
Max absorbed current	3.3 A	3.3 A	1.7 A	1.7 A
Max torque	130 Nm	130 Nm	180 Nm	180 Nm
Maximum output rotations	18	38	18	38
Output speed	24 r.p.m.	24 r.p.m.	24 r.p.m.	24 r.p.m.
Shaft hole	1" (25.4 mm)	1" (25.4 mm)	1" (25.4 mm)	1" (25.4 mm)
Limit switch red. rate	1/20	1/40	1/20	1/40
Duty cycle	30%	30%	50%	50%
Protection level	IP40	IP40	IP40	IP40
Operating temperature	-20°C /+50°C	-20°C /+50°C	-20°C /+50°C	-20°C /+50°C
Lubrication	OIL	OIL	OIL	OIL
Max door surface	35 m²/max	35 m²/max	40 m²/max	40 m²/max
Weight	15.1 kg (VN.S20) 15.3 kg (VN.M20)	15.2 kg (VN.S40) 15.3 kg (VN.M40)	14.8 kg (VN.ST20) 15.1 kg (VN.MT20)	15 kg
Items no. per pallet	32 (VN.S20) 24 (VN.M20)	32 (VN.S40) 24 (VN.M40)	32 (VN.ST20) 24 (VN.MT20)	24